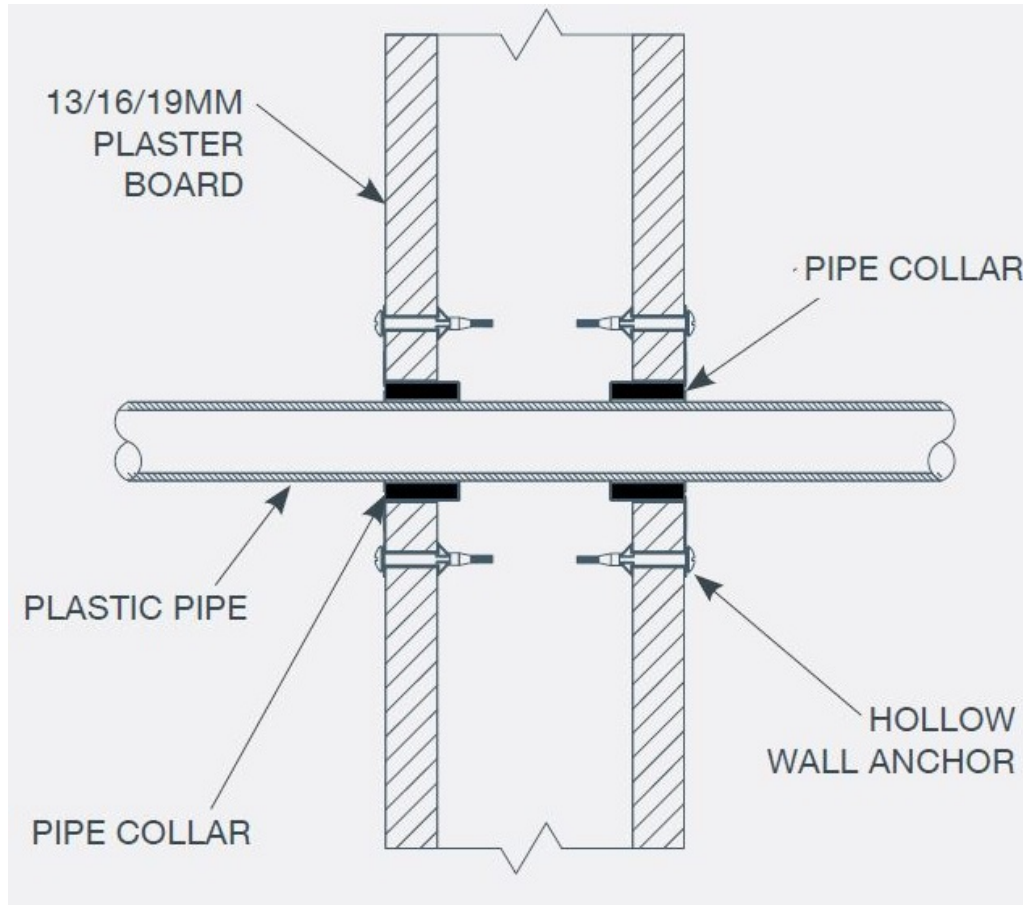


Allproof Low Profile Fire Collar Plastic Pipe through a Plasterboard Wall Single Layer 13mm, 16mm or 19mm Fire Board or 13mm Standard Board Collar Inserted Inside the Wall

INSTALLATION INSTRUCTIONS:

1. Ensure substrate around the service is flat and free from obstructions.
2. Open pipe collar and position around the service.
3. Slide tab through slot in pipe collar and fold back 180° to secure.
4. Slide the collar into the wall and secure using metal hollow wall anchors fixed directly into the plasterboard. Do not use fixings which rely on plastic or nylon components for grip.
5. Do not apply sealant - the collar must remain open to the fire for the intumescent to activate correctly.



BRANZ Appraised
 Appraisal No.1088 [2019]

As a part of our policy of on-going product development and testing, we reserve the right to modify, alter or change product specifications without giving notice. All information contained in this document is given in good faith and is provided for guidance only. Any drawings provided are for illustrative purposes only. As Firestop Centre has no control over the methods or competence of installation and of prevailing site conditions, no warranties, expressed or implied, is intended to be given as to the actual performance of the product mentioned or referred to herein and no liability whatsoever will be accepted for any loss, damage or injury arising from the use of the information given.

ALLPROOF

INDUSTRIES

Allproof Industries Ltd
 17 Bay Park Place
 Beach Haven, AK 0626



BRANZ

BRANZ Appraisal 1008
 Technical Manual - Plumbing
 Pages 13-15
 AS1530.4-2014 AS4072.1-2005

System/FPA Register ID# FC738

Products	Allproof Low-Profile Fire Collar
Application	Fire stopping of plastic pipe in single layer plasterboard wall
Construction	Minimum wall thickness 90mm with single layer 13,16,19mm board each side

Fire Classification:

In 13mm Fire Board:

PVC 40mm diam in 70mm diam aperture	FRR -/60/45
PEX 20mm diam in 45mm diam aperture	FRR -/60/45
PP-R 25mm diam in 45mm diam aperture	FRR -/60/45

In 13mm Standard Board:

PVC 40mm in 70mm aperture	FRR -/30/30
---------------------------	-------------

In 16mm Fire Board:

PEX up to 25mm diam in 45mm diam aperture	FRR -/45/45
PEX/AL/PE 25mm diam in 30mm diam aperture	FRR -/90/60

In 19mm Fire Board:

PVC 40mm diam in 70mm diam aperture	FRR -/120/90
PVC 100mm diam in 150mm diam aperture	FRR -/45/45
PP-R 25mm diam in 45mm diam aperture	FRR -/120/90
PEX 25mm diam in 45mm diam aperture	FRR -/120/90
PB 22mm diam in 45mm diam aperture	FRR -/120/90

Scale:
 NTS

Drawn date & no:
 28/7/23